

SYSTEMZ

Intelligent Hospital LED

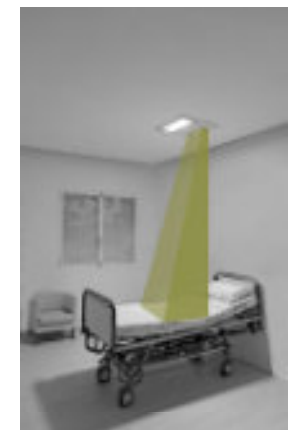
MEDICAL 3-IN-1



1. Examination:
700 lx (max. 1000 lx)



2. Ambient:
60lx



3. Reading:
250lx

Intelligent Hospital LED

MEDICAL 3-IN-1

Luminaire body

Made in white stove-enamelled steel sheet

The electrical connection is made to a 5-pole quick electrical connector. Dimmable version with 3 different DALI addresses. According to the light outputs.

Main voltage: 220-240 V / 50-60 Hz.

Power factor Corrected ϕ : 0,95.

□ Ceiling cut: 580x580 mm.

Useful life: 25°C: 72,000 hours

Installation: recessed for easy installation thanks to the quick anchoring system included in the product.

Beam Angle

General lighting, reading and ambient. Each designed for specific task.

Compliance

Compliant to AS/NZS 1680.2.5:1997 Cyanosis Observation Index, (COI < 3.3). Cyanosis is a visual cue of an underlying medical condition through observation of "normal" and "blueish" skin tones.

Colour rendering index (CRI) >90, and CCT light temperature 4000 K \pm 300 K.

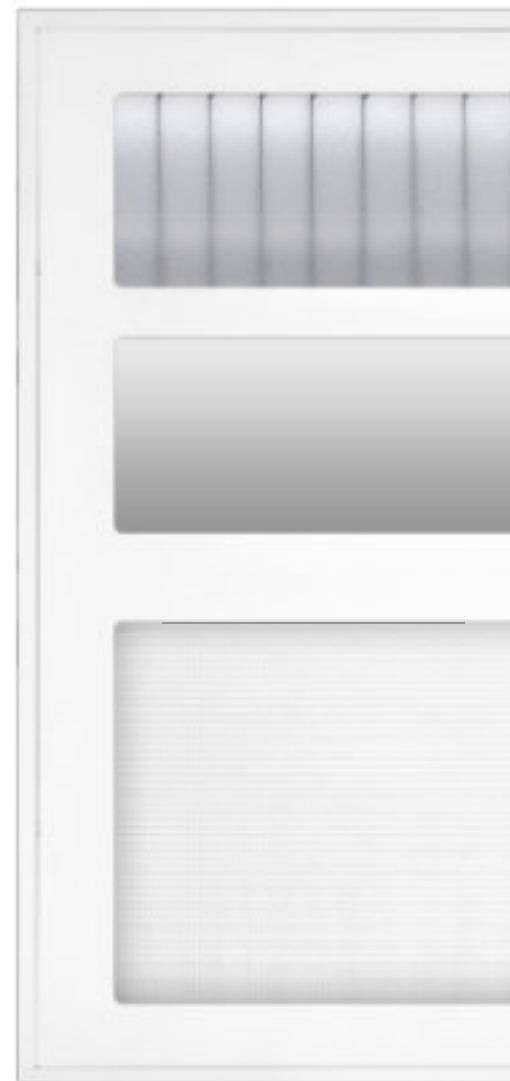
Warranty: 3-years



Complete view 1



Complete view 2



Detail

Approval marks for lighting components:



LED FUNCTIONALITY FOR HOSPITALS

Design Registration No.: 30202250122P

Scan QR to access web product page ▶



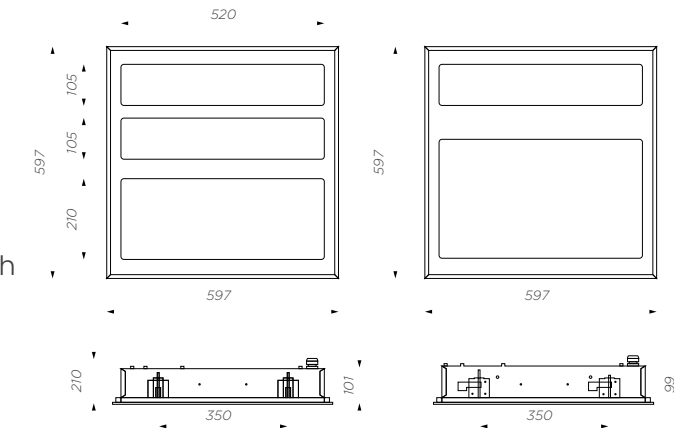
Optics (cont.)

Reading lighting:

Formed by a high performance PMMA diffuser. Specular aluminum reflector with a high diffusion degree, asymmetric with lattice to avoid glare in both directions.

Dimensions

Measurements in millimeters



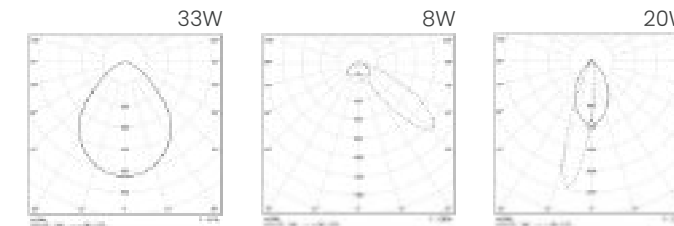
Installation drawing



Luminaire at a distance of 550 mm from the bed headboard for an installation height of 2.500 mm.

Room lighting:

Formed by a high performance PMMA diffuser, specular aluminum reflector, asymmetric, with high luminance control to avoid glare in patient's vision.



1. Examination: 700 lx (max. 1000 lx) 2. Ambient: 60lx 3. Reading: 250lx

Examination lighting:

Formed by a high transparency microprismatic diffuser with an hexagonal micropyramid matrix base for effective dazzle control. Ultra-white reflector with very high reflectance.

Luminaires

Light source W	Lighting	Colour temp.	CRI	Output	Kg
MEDICAL 3-in-1 . 3 outputs . Headboard LED luminaire for recessed mounting . White matt colour					
Examination		4000K	90	4,550 lm	12
Room		4000K	90	1,850 lm	
Reading		4000K	90	1,050 lm	
MEDICAL 2-in-1 . 2 outputs . Headboard LED luminaire for recessed mounting . White matt colour					
Examination		4000k	90	5,000 lm	12
Reading		4000k	90	1,050 lm	

HOSPITALS LED • MEDICAL 3-in-1

HOSPITALS LED • MEDICAL 3-in-1