

FC01

FUSA CHAIR

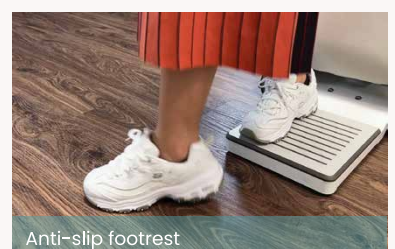
azur	vanille	sisal
sky	safran	auster
turkis	melone	cashmere
baltic	natur	grau
titan	hellbraun	smoke

FEATURES

- Central locking castors, accessible on both sides
- Airline-style headrest , up-down with side support
- Adjustable calf support to relieve tension
- Unique 180° reclining to seat up to 3 NOKs
- Robust aluminium construction tested to exceed 150kg chair / 300kg bench mode
- Medical-grade fabric, resistant against chemicals & sweat. EN ISO 10993-5

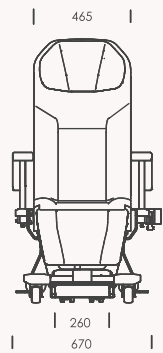
FUNCTIONAL SAFETY (FUSA)

- Hidden safety features to empower caregivers
- Discreet lock to disable armrest adjustment
- Discreet lock to disable backrest adjustment
- Concealed lever to unlock modular food tray
- Spring-loaded foot rest to prevent tripping
- Anti-slam armrest to prevent pinching
- Fully lowered armrest to facilitate patient transfer

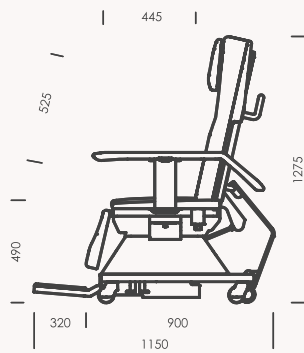


TECHNICAL SPECIFICATIONS

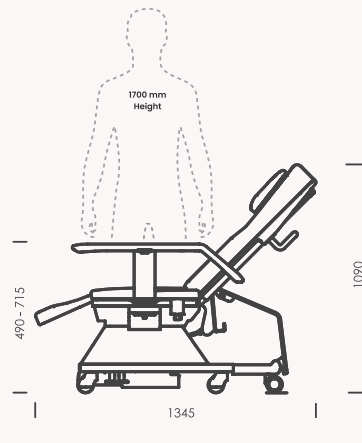
FC01 Depth 1150 - 1480 mm
 Width 670 mm
 Height 570 - 1275 mm



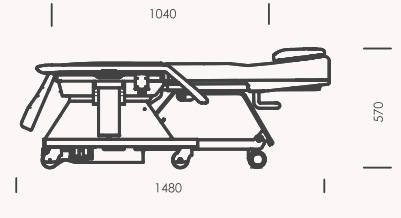
Front



Patient's (Geri-Chair)



Visitor's (Recliner Bed)



Visitor's (Bench)

TECHNICAL SPECIFICATIONS



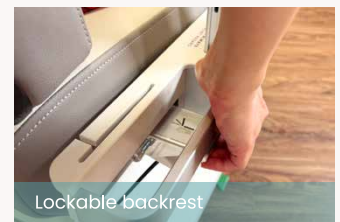
Central lock on the left & right



Calf-rest



Airline style headrest



Lockable backrest



Restraining modular tray



300kg bench mode



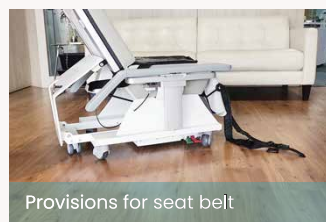
Lockable armrest



Flushed for patient transfer



Extra-large push handle



Provisions for seat belt



Provisions for urine bag



Provisions for IV pole



Quick Start Guide Videos



Systemz Pte Ltd

16 Sungei Kadut Way
 Singapore 728793
 +65 6465 0387 (Main)
 +65 6465 0656 (Fax)
 www.systemz.sg
 info@systemz.sg

designed & manufactured



Singapore

Design Registration Number: 30202400537P